



Green'up™



ELECTRIC VEHICLE CHARGING
SOLUTIONS FOR THE
RESIDENTIAL SECTOR



#LegrandImprovingLives





SOLUTIONS FOR
THE RESIDENTIAL
SECTOR



Green'up Access sockets ▪ p. 4-5

Green'up™

CHARGING SOLUTIONS FOR ELECTRIC VEHICLES



Legrand Green'up charging solutions can be used to charge electric and plug-in hybrid vehicles with maximum simplicity and safety. Ideal for standalone charging installations in residential sectors.

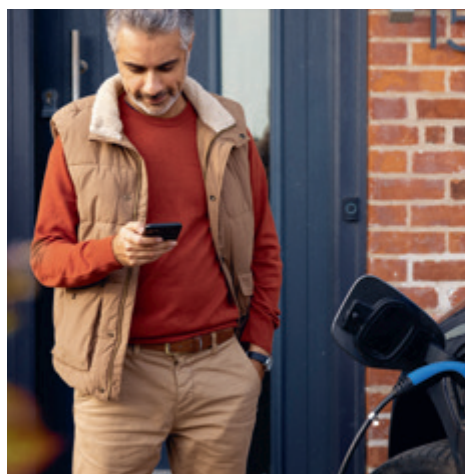
Available in different versions: wall-mounted or floor standing, networked, single-phase and three-phase.



Green'up One
charging station - p. 6-7



Green'up Premium
charging station - p. 8-9











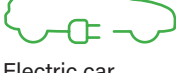







Solutions

for every type of use

Green'up solutions can be used to charge all types of electric vehicles in complete safety. It is important to choose the charging station power rating to suit the charging need. Legrand helps you choose the correct power rating:

CHARGING MODE

CHARGING SOLUTIONS

CHARGING MODE	VEHICLE TYPE	PLUG TYPE
MODE 1	 Scooter, e-bike	 Standard plug
MODE 2 SINGLE-PHASE	 Electric car	 Standard plug
	 8 A/10 A max. (according to country)	 Legrand Green'up system plug
	 Electric car	 Standard plug
MODE 3	 Electric car	 Legrand Green'up system plug
	 16 A max.	
MODE 3 SINGLE-PHASE	 Electric car	 Type 2 plug
	 16 A max.	
MODE 3 THREE-PHASE	 Electric car	 Type 2 plug

*Average charging time based on an average consumption of 15 kWh / 100 km. Depends on the EV model performance.



CHARGING SOLUTIONS	LEGRAND RECOMMENDATIONS	AVERAGE CHARGING TIME for 100 km*
	Standard socket <ul style="list-style-type: none"> Non-dedicated conventional socket outlet. NOT RECOMMENDED for electric vehicles 	-
	Standard socket <ul style="list-style-type: none"> Standard plug + dedicated standard socket Limited charge circuit OCCASIONAL 	6 hrs 30
	Standard socket <ul style="list-style-type: none"> Legrand safety plug + dedicated standard socket Limited charge circuit OCCASIONAL 	6 hrs 30
	Green'up Access socket by Legrand <ul style="list-style-type: none"> Standard plug + Legrand Green'up Access socket Safe dedicated access Limited charge circuit PERMITTED 	6 hrs 30
	Green'up Access socket by Legrand <ul style="list-style-type: none"> Legrand Green'Up system plug + Green'Up Access socket Safe, dedicated circuit, optimised charging RECOMMENDED 	4 hrs
	<ul style="list-style-type: none"> 3.7 kW Green'up One 3.7 / 4.6 kW Green'up Premium charging stations 	4 hrs
	7.4 kW Green'up One or Green'up Premium charging stations <ul style="list-style-type: none"> Type 2S plug Safe, dedicated circuit, optimised charging RECOMMENDED 	2 hrs
	11 kW Green'up One charging station	1 hr 20
	22 kW Green'up One or Green'up Premium charging stations	40 mins

Green'up Access

Ready to install kit

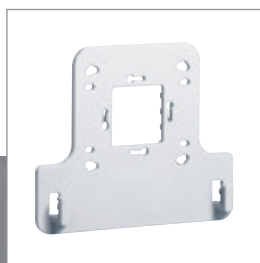
SOLUTION THAT IS INEXPENSIVE, ADAPTABLE AND SAFE

With the Green'up Access socket, Legrand makes it easy to charge vehicles at home. Inexpensive, simple to install, safe, they can also be used for all conventional purposes, and are specially prewired so they can easily be replaced with a mode 3 charging station.

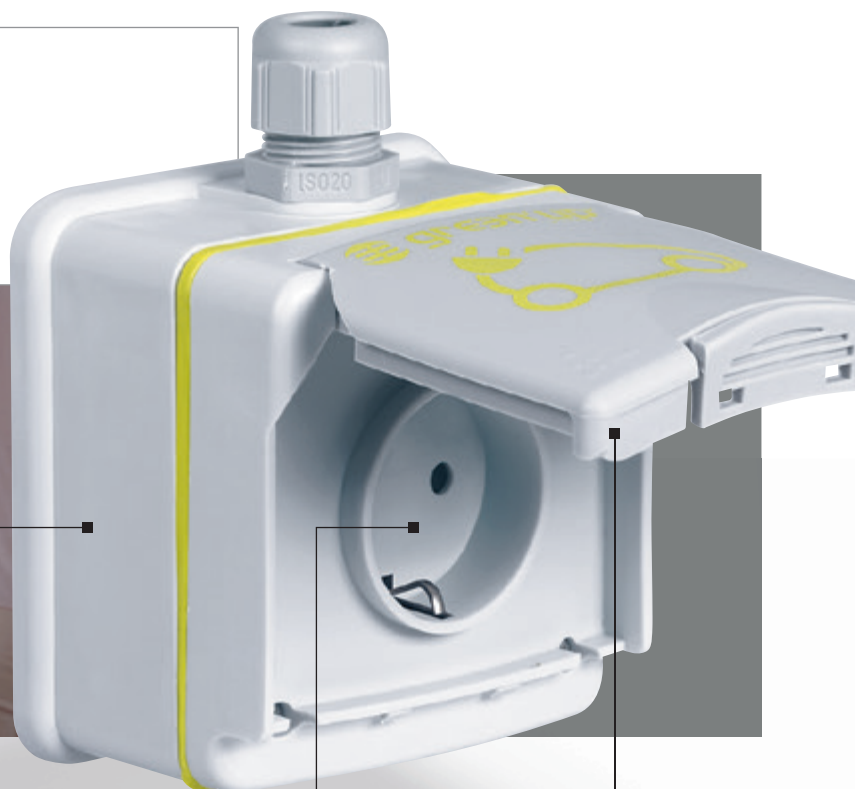
RCBO + BRACKET + SOCKET



+



+



MODE 2

- IP 55 - IK 08
- 16 A - 3.7 kW
- Single-phase

• Supplied with bracket and RCBO

• Line protected by RCBO

Heavy-duty socket, identified for electric vehicles, also suitable for any application
Conforms to IEC 60884-1

Optimum safety

Surface treatment of metal contacts to improve electrical conductivity



8 to 16 A charging in complete safety of all electric vehicles with a mode 1 or mode 2 cable, regardless of how much charging power is required by the vehicle



DETECTION SYSTEM PATENTED BY LEGRAND

Vehicles detect the secure Green'up infrastructure and select the maximum power that can be supplied via the socket, resulting in a shorter charging time.



**ALSO EXIST AS INDIVIDUAL SOCKETS
IN DIFFERENT RANGES**



GREEN'UP design

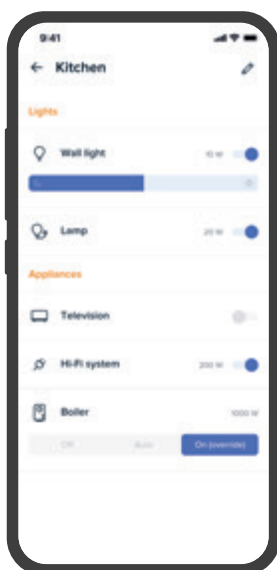


PLEXO design



SOLIROC design

With its IK 10 protection giving it excellent resistance to harsh environments, the Soliroc socket is perfect for exposed locations (public car parks, lock-ups, etc.).

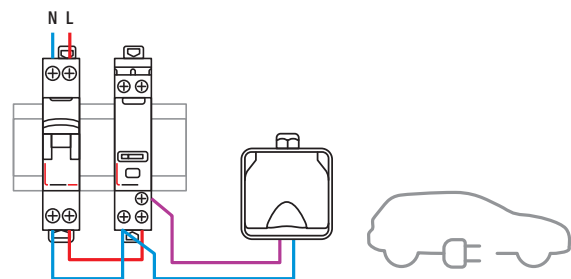


OPTIONAL REMOTE CONTROL (SMART HOME INTEGRATION)

Green'UP Access sockets can be managed remotely with the help of the Home + Control App by adding a CX³ with Netatmo connected starter pack: (allowing remote control operation, integration of controlled appliances in schedules, and tracking the consumption of the circuit controlled).



Home + Control



Green'up One

Charging station

The Green'up One charging station is an elegant and durable charging unit with fixed charging cable, used for charging vehicles in mode 3. With its native Bluetooth connection it can be used to control charging locally via the CHARGER CONTROL App.



MODE 3 communicating

- IP 54 - IK 10
 - Single-phase: 3.7 / 7.4 kW
 - Three-phase: 11 / 22 kW
-
- 6 mA DC detection embedded to limit risk of residual direct current
-
- Local management via Bluetooth
-
- Conforms to IEC 61851-1

LED indicator ring

For the status of the charge (green/blue/red/yellow).

Plug support

When not in use, plug can rest in the middle of the indicator ring.

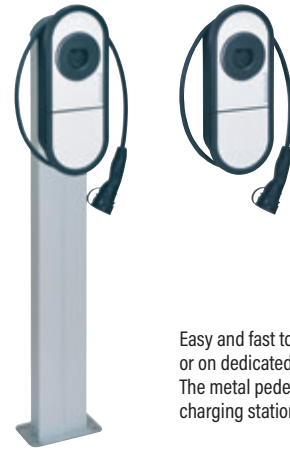
For any electric vehicle model



Supplied with 5 m length cable and T2S Plug for mode 3 charging.



“Green'Up One charging stations can be installed on the wall or the floor”



Easy and fast to install on the wall or on dedicated metal pedestal. The metal pedestal can accept 2 charging stations, (one on each side).

POWER ADJUSTMENT TO LIMIT THE CHARGE IN COMPLIANCE WITH YOUR INSTALLATION:

Charging station	Rated power (kW)	Charging current adjustment (A)
Single-phase	3.7	6 to 16
	7.4	6 to 32
Three-phase	11	6 to 16
	12	6 to 32

DYNAMIC LOAD MANAGEMENT

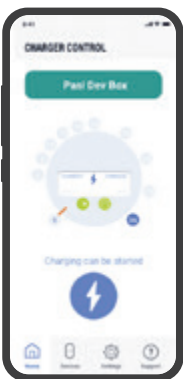
Green'Up One has available smart connection features allowing adjustment of the charging current and charging event, based on the building's total energy consumption. Dynamic load management is enabled by adding an external energy meter like EMDX³ range from Legrand (installed on the distribution board) and Modbus cabling for communication.

MANAGE LOCALLY AND/OR REMOTELY

MANAGING CHARGING BY USING BLUETOOTH AND CHARGER CONTROL APP

The CHARGER CONTROL app can be used to:

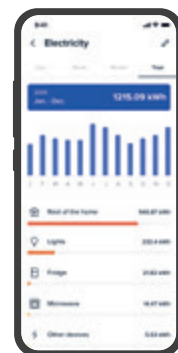
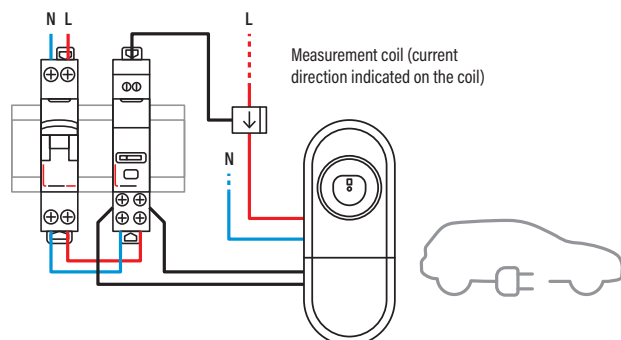
- adjust power
- start/stop charging
- adjust various parameters
- monitor charging events
- update the software.



CHARGER CONTROL app

OPTIONAL REMOTE CONTROL (SMART HOME INTEGRATION)

Green'UP One charging stations can be managed remotely with the help of the HOME + CONTROL App by adding a CX³ with Netatmo connected dry contact: (allowing remote control operation, integration of controlled appliances in schedules, and tracking the consumption of the circuit controlled).



Home + Control

Green'up Premium

Charging station

SOLUTION WHICH ALLOWS CHARGING TO BE CONTROLLED LOCALLY OR REMOTELY

The Green'up Premium charging station is used for charging vehicles in mode 2 and mode 3. With its Bluetooth connection it can be used to control charging locally via the EV CHARGE light application. When connected to the IP or Wi-Fi network with the communication kit (optional), it allows remote control from a smartphone, tablet computer or PC.



MODE 2*
MODE 3 communicating

- IP 44 - IK 08
 - Single-phase: 3.7/4.6 kW or 7.4 kW
 - Three-phase: 22 kW
-
- 6 mA DC detection embedded to limit risk of residual direct current
-
- Local management via Bluetooth
-
- Conforms to IEC 61851-1, IEC 62191-1 and IEC 62196-2

Delayed start: 3, 6 or 9 hours

Option of delaying start by 3, 6 or 9 hours. For charging during the cheap rate period.

Volt-free contact input

For external control of the charging station (time switch, contactor, connected dry contact, etc).

For any electric vehicle model



Shuttered T2S EV Plug socket for mode 3 charging.



Green'up Access heavy-duty socket for charging in mode 2 and for all applications.



POWER ADJUSTMENT

The power of the Green'Up Premium charging stations can be adjusted via micro-switches or with the help of the EV CHARGE light app.

Charging station	Rated power (kW)	Power adjustment (kW)
Single-phase	4.6	3.7 / 4.6
	7.4	3.7 / 4.6 / 5.7 / 7.4
Three-phase	22	11 / 15 / 18 / 22

MANAGE LOCALLY AND/OR REMOTELY



MANAGING CHARGING BY USING BLUETOOTH AND CHARGER CONTROL APP

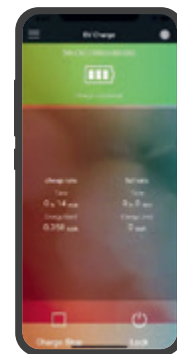
Managing charging Standard (using Bluetooth with the EV CHARGE light app)

- Peak/Off-peak hours override
- Programmable daily charging and power management
- Viewing consumption of the last charge
- Software update



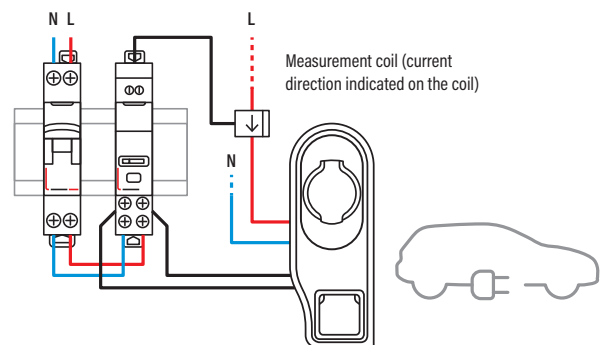
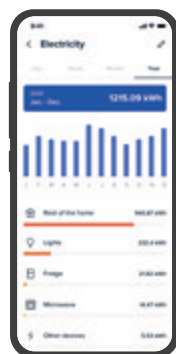
With communication kit (optional)

- Remote control of charging
- Weekly monitoring of consumption (via Wi-Fi router or RJ 45)
- Advanced settings
- Software update



OPTIONAL REMOTE CONTROL (SMART HOME INTEGRATION)

Green'UP Premium charging stations can be managed remotely with the help of the HOME + CONTROL APP by adding a CX³ with Netatmo connected dry contact (allowing remote control operation, integration of controlled appliances in schedules, and tracking the consumption of the circuit controlled).



Green'up™ sockets and charging stations with integrated DC protection

for electric vehicles and plug-in hybrids

	IP	IK	Charging mode	Power (kW)	Number of charging points	Wall mounting	Free standing	Communication kit	Dedicated App.	Average charging time (in hours) depending on the vehicle and battery type			
										Vehicle battery capacity			
										15/16 kW/h	22/24 kW/h	30/32 kW/h	
SINGLE-PHASE SOCKETS - 230 V													
	Plastic	55	08	Mode 2 	3.7	1	0 904 70 ⁽¹⁾ 0 904 72	-	-	-	4 ⁽²⁾	6 ⁽²⁾	-
	Plastic	55	08	Mode 2 	3.7	1	0 697 85L	-	-	-	4 ⁽²⁾	6 ⁽²⁾	-
	Metal	55	10	Mode 2 	3.7	1	0 778 56	-	-	-	4 ⁽²⁾	6 ⁽²⁾	-
	Metal with key	55	10										
SINGLE-PHASE CHARGING STATIONS WITH INTEGRATED DC PROTECTION - 230 V													
	Plastic	54	10	Mode 3 	3.7	1	0 570 10 0 570 11 ⁽³⁾	0 570 10/11 ⁽³⁾ + 0 570 18	-		4	6	8
					7.4	1	0 570 12 0 570 13 ⁽³⁾	0 570 12/13 ⁽³⁾ + 0 570 18	-		2	3.5	4.5
	Plastic	44	08	Mode 3 	3.7 / 4.6	1	0 580 00	0 580 00 + 0 590 52	0 590 56		4	6	8
					7.4	1	0 580 01	0 580 01 + 0 590 52	0 590 56		2	3.5	4.5
	Plastic	44	08	Modes 2 and 3 	3.7 / 4.6	1	0 580 30	0 580 30 + 0 590 52	0 590 56		4	6	8
					7.4	1	0 580 35	0 580 35 + 0 590 52	0 590 56		2	3.5	4.5
THREE-PHASE CHARGING STATIONS WITH INTEGRATED DC PROTECTION - 400 V													
	Plastic	54	10	Mode 3 	11	1	0 570 14 0 570 15 ⁽³⁾	0 570 14/15 ⁽³⁾ + 0 570 18	-		1.5	2	3
					22	1	0 570 16 0 570 17 ⁽³⁾	0 570 16/17 ⁽³⁾ + 0 570 18	-		0.75	1	1.5
	Plastic	44	08	Mode 3 	22	1	0 580 02	0 580 02 + 0 590 52	0 590 56		0.75	1	1.5

1: Ready to install version, supplied with RCBO

2: For vehicles with cable equipped with Legrand Green'up plug

3: With integrated protection (RCBO)

Green'up™ Access ready to install kit

for electric vehicle charging



The Green'up system is based on an innovative Legrand technology, activating "maximum power" mode and ensuring a secure and fast charging process.

Complete solution:
Mode 2 socket + RCBO



Installation principle **p. 12**
Dimensions **p. 12**

Ready to install kit - 16 A EV

Pack	Cat.Nos	Ready to install kit - 16 A EV
1	0 904 70	<p>Allows creating a safe infrastructure for electric and hybrid vehicle charging, using Mode 2 (or Mode 1) charging cables. Suitable for residential and workplace use</p> <p>Power supply directly from the electrical panel: 1 dedicated line 3 x 2.5 mm² cable, protected with one RCBO (one line per socket)</p> <p>The kit contains:</p> <ul style="list-style-type: none"> - 1 heavy duty German standard Green'up Access plastic socket, with flap cover, IP 55 - IK 08 - 16 A - 230 V - 16 A EV, 6 mm² screw terminals, according to IEC 60884-1, NF C 61-314, VDE 620-1 - 1 base for hanging up the vehicle charging cable control box - 1 RCBO 16 A, C curve, 30 mA, F type Cat.No 4 107 53 <p>The use of a surge protective device is recommended</p> <p>Recommended installation height: between 0.80 and 1.20 m from the floor</p>

Green'up™ Access sockets

16 A - 230 V - 16 A EV - for electric vehicles



Installation principle **p. 12**
Dimensions **p. 12**

Used for safely charging rechargeable electric and hybrid vehicles which take Mode 2 cord (compatible with Mode 1)

Connected to the consumer panel via one 3 x 2.5 mm² dedicated line (1 line per socket) protected by 30 mA - 16 A C curve, F type (Hpi) RCBO (or 30 mA F type (Hpi) RCCB + 16 A C curve circuit breaker)

Recommended installation height: 1.30 m from the floor

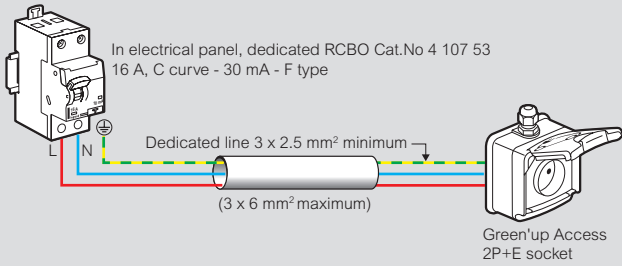
Suitable for residential and workplace use

Mode 1 and Mode 2 sockets - 16 A EV

Pack	Cat.Nos	Mode 1 and Mode 2 sockets - 16 A EV
1	0 904 72	<p>Heavy-duty mechanisms with silvered contacts</p> <p>Single-phase sockets - screw connection - 230 V</p> <p>Supplied with base Cat.No 0 904 78 for hanging up the vehicle charging cable control box</p> <p>For charging 1 vehicle</p> <p>Conform to IEC 60-884-1</p> <p>Suitable for installation in private houses</p> <p>Plastic socket with flap cover</p> <p>IP 55 - IK 08 surface-mounting</p> <p>Supplied complete with surface mounting box fitted with an ISO 20 cable gland</p> <p>Dimensions (H x W x D): 98 x 98 x 70 mm (exc. cable gland)</p> <p>German standard socket outlet</p>
1	0 697 85L	<p>Plexo design</p> <p>Supplied complete with surface mounting box</p> <p>Dimensions (H x W x D): 84.5 x 82 x 63.5 mm</p> <p>IP 55 - IK 10 flush-mounting - metal socket</p> <p>Suitable for installation in private houses, lock-up garages, parking lots, etc</p> <p>Supplied complete with plate and support</p> <p>Mounting in 1-gang Batibox flush-mounting box depth 50 mm</p> <p>Can be surface mounted with box Cat.No 0 778 90</p> <p>Dimensions (H x W x D): 110 x 110 x 13.5 mm</p> <p>German standard socket outlet</p>
1	0 778 57	<p>IP 55 - IK 10 flush-mounting - metal socket with locked flap cover</p> <p>Suitable for installation in private houses, lock-up garages, parking lots, etc</p> <p>Supplied complete with plate and support</p> <p>Mounting in 1-gang Batibox flush-mounting box depth 50 mm</p> <p>Can be surface mounted with box Cat.No 0 778 90</p> <p>Dimensions (H x W x D): 110 x 110 x 13.5 mm</p> <p>Supplied complete with a unique set of 2 keys in order to restrict access to the socket</p> <p>German standard socket outlet</p>

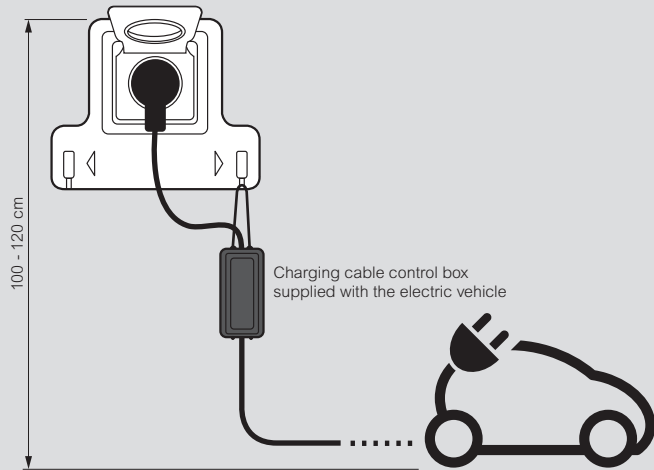
Green'up™ Access sockets

Installation principle for an individual Mode 2 socket



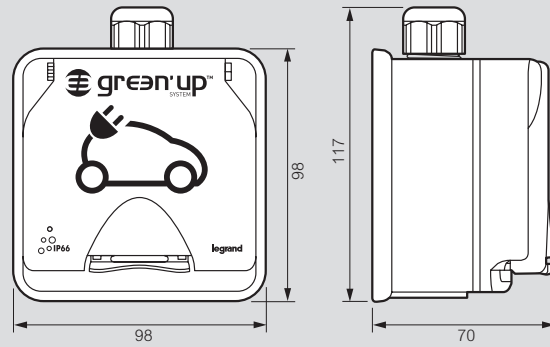
- Can be controlled by clock/switch type control units, etc. (to be ordered separately)
- Use of a surge protective device is recommended

Use of bracket Cat.No 0 904 78 (supplied with the kit Cat.No 0 904 70)

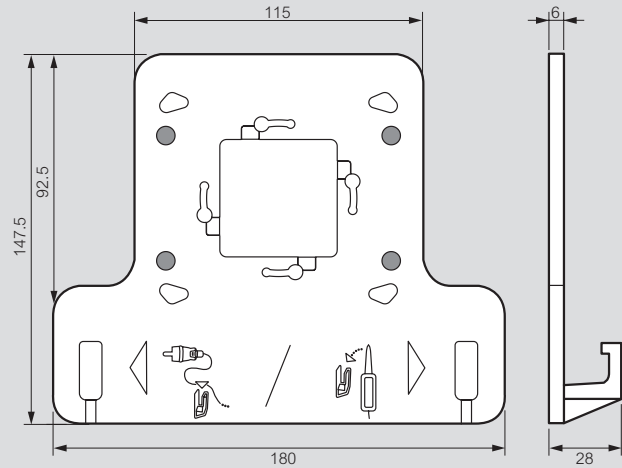


Dimensions

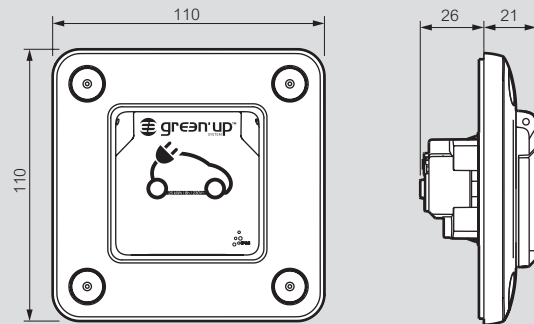
Cat.No 0 904 72



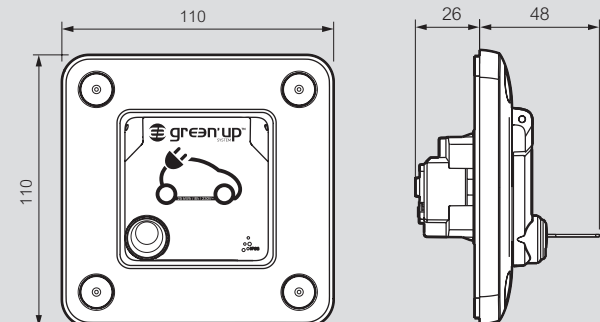
Cat.No 0 904 78 (supplied with the kit Cat.No 0 904 70)



Cat.No 0 778 56



Cat.No 0 778 57



Green'up™ One charging stations

for electric vehicle charging



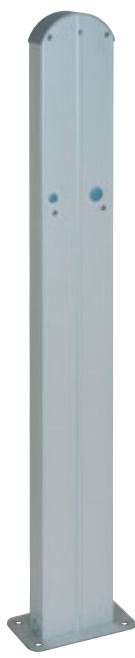
CHARGER CONTROL

With power adjustment function

With integrated 6 mA \approx protection



0 570 16



0 570 18



0 570 18 + 0 570 16

Recommended for individual home installations

Integrated 6 mA DC detection

For charging all electric vehicles (equipped with single-phase and three-phase chargers) and plug-in hybrids in Mode 3 in complete safety Compliant with standard IEC 61851-1

Charging station power can be adjusted with adapted protection devices and power supply circuits. Local wireless communication via embedded Bluetooth for configuration and control of charging station via smartphone or tablet using the IOS or Android CHARGER CONTROL App. (power limitation, ON/OFF management, status, LED brightness, load management settings)

Equipped with:

- a 5 m cord, plug holder and Type 2 plug (single-phase or three-phase operation) with pilot wire (Mode 3)

- LED indicating the status of the charge (green / blue / red / yellow)

Connected and protected from the electrical panel via 1 protected dedicated line

Remote ON/OFF control option (volt-free contact input 12 V=)

Compatible with connected dry contact Cat.No 4 121 73

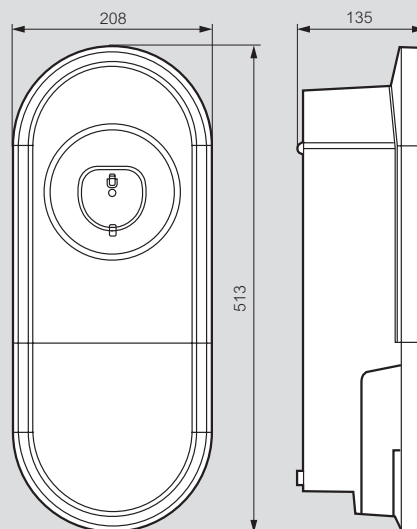
controlled remotely using a smartphone via the Home + Control App.

Pack	Cat.Nos	Plastic single-phase charging stations - Mode 3
		IP 54 - IK 10 For charging 1 vehicle Wall mounting charging stations. Can be equipped with pedestal Cat.No 0 570 18 for fixing to the ground
1	0 570 10	3.7 kW - 16 A (adjustable from 6 A to 16 A) Without integrated protection
1	0 570 11	With integrated protection (RCBO) : 16 A - 30 mA
		7.4 kW - 32 A (adjustable from 6 A to 32 A)
1	0 570 12	Without integrated protection
1	0 570 13	With integrated protection (RCBO) : 32 A - 30 mA
		Plastic three-phase charging stations - Mode 3
		IP 54 - IK 10 For charging 1 vehicle Wall mounting charging stations. Can be equipped with pedestal Cat.No 0 570 18 for fixing to the ground
1	0 570 14	11 kW - 16 A (adjustable from 6 A to 16 A) Without integrated protection
1	0 570 15	With integrated protection (RCBO) : 16 A - 30 mA
		22 kW - 32 A (adjustable from 6 A to 32 A)
1	0 570 16	Without integrated protection
1	0 570 17	With integrated protection (RCBO) : 32 A - 30 mA
		Metal pedestal for Green'up One charging stations
1	0 570 18	For fixing charging stations to the ground Can take one or two charging stations

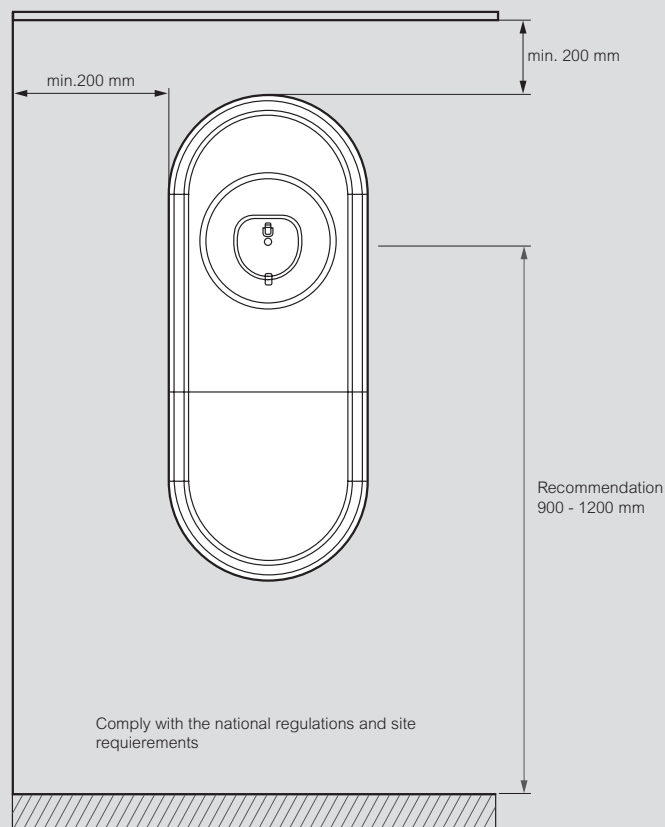
Green'up™ One charging stations

for electric vehicle charging

Dimensions



Minimum space needed for operation and maintenance



Green'up™ Premium charging stations with integrated DC protection

for electric vehicle charging



Technical characteristics and wiring diagrams **p. 15**
Dimensions **p. 16**

For charging all electric vehicles (equipped with single-phase and three-phase chargers) and plug-in hybrids in Mode 2 or Mode 3 in complete safety
Compliant with standard IEC 61851-1

Charging station power can be adjusted with adapted protection devices and power supply circuits. Local wireless communication via embedded Bluetooth for configuration and control of charging station via smartphone or tablet using the IOS or Android EV CHARGE App.

Available functions: charging station status, daily charging program, charging station activation/deactivation, power management, firmware updates
Application additional functions: weekly charging program, consumption monitoring

Remote wireless IP communication with communication kit Cat.No 0 590 56

Equipped with:

- a 2P+E socket with Green'up Access safety shutter featuring the innovative Green'up system, a Legrand Group technology which activates "maximum power" mode, ensuring fast, safe charging for 2P+E plugs (Mode 2)⁽²⁾

- a 3P+N+E (T2S) Type 2 socket with blanking plates (single-phase or three-phase operation) with pilot wire (Mode 3).

Integrated protection : 6 mA DC

Connected and protected from the electrical panel via 1 protected dedicated line (2 dedicated lines for 2-vehicle charging station)

Off-peak control option via contactor, clock and switch (volt-free contact input 12 V_{DC})

Remote ON/OFF control option (volt-free contact input 12 V_{DC})

Pack Cat.Nos Plastic single-phase charging stations - Mode 3

Pack	Cat.Nos	Plastic single-phase charging stations - Mode 3
1	0 580 00	IP 44 - IK 08 Wall mounting charging stations to be equipped with pedestal Cat.No 0 590 52 for fixing to the ground 3.7/4.6 kW - 16/20 A For charging 1 vehicle 7.4 kW - 32 A Power adjustment option: - 3.7/4.6/5.7/7.4 kW - 16/20/25/32 A
1	0 580 01	For charging 1 vehicle

Pack Cat.Nos Plastic single-phase charging stations - Modes 2 and 3

Pack	Cat.Nos	Plastic single-phase charging stations - Modes 2 and 3
1	0 580 30	IP 44 - IK 08 Wall mounting charging stations to be equipped with pedestal Cat.No 0 590 52 for fixing to the ground 3.7/4.6 kW - 16/20 A For charging 1 vehicle 7.4 kW - 32 A Power adjustment option: - 3.7/4.6/5.7/7.4 kW - 16/20/25/32 A
1	0 580 35	For charging 1 vehicle

Pack Cat.Nos Plastic three-phase charging station - Mode 3

Pack	Cat.Nos	Plastic three-phase charging station - Mode 3
1	0 580 02	IP 44 - IK 08 Wall mounting charging station to be equipped with pedestal Cat.No 0 590 52 for fixing to the ground 22 kW - 32 A Power adjustment option: - 11/15/18/22 kW - 16/20/25/32 A
		For charging 1 vehicle

Pack Cat.Nos Equipment for mounting charging stations on the wall or fixing to the ground

Pack	Cat.Nos	Equipment for mounting charging stations on the wall or fixing to the ground
1	0 590 52	For plastic charging stations Pedestal for fixing plastic charging stations to the ground Option to integrate Plexo ³ boxes Cat.No 0 019 04/06/08(4 to 16 modules) for the protection devices
1	0 590 56	Communication kit For controlling functions embedded in the charging station and configuring the charging station remotely from a smartphone or PC via IP (RJ 45) or Wi-Fi IP communication For connecting the charging station to the installation's IP network and ensuring its compatibility with the following protocols: - OCPP 1.6 and 2.0 - MODBUS RS 485

1: Charging stations compliant with EV Ready specifications for construction regulations applicable to these products
2: For vehicles with cable equipped with Legrand Green'up plug

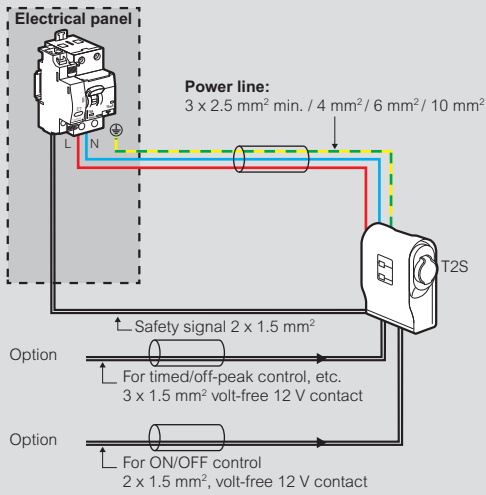
Green'up™ Premium charging stations with integrated DC protection

for electric vehicle charging

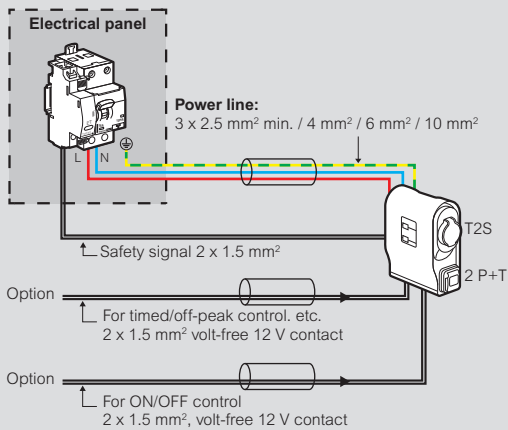
Installation principle

Note: the installation of a surge protective device is recommended.

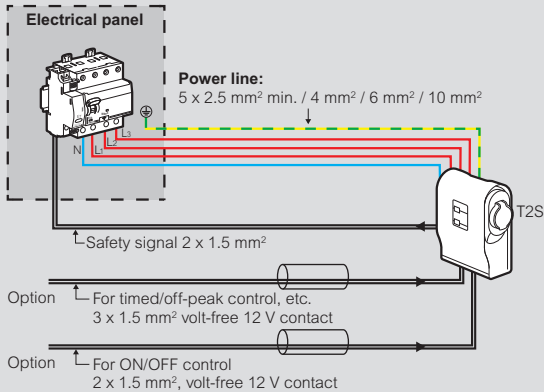
Single-phase charging stations - Mode 3



Single-phase charging stations - Modes 2 and 3



Three-phase charging stations - Mode 3



Cat.Nos	0 580 00			0 580 01		
Power setting (kW)	3.7	4.6	3.7	4.6	5.8	7.4
Charging station rating (A)	16	20	16	20	25	32
Power line protection rating	20 A, C curve	25 A, C curve	20 A, C curve	25 A, C curve	32 A, C curve	40 A, C curve
RCD	30 mA F type			30 mA F type		
Power line protection RCBO (6000/10 kA)	4 110 95	4 110 96	4 110 95	4 110 96	4 110 97	4 110 98
T2S line csa (mm² minimum)	2.5	4	2.5	4	6	10
Shunt trip / safety signal	4 062 76	4 062 76	4 062 76	4 062 76	4 062 76	4 062 76
Surge protective device	0 039 51	0 039 51	0 039 51	0 039 51	0 039 51	0 039 51

Cat.Nos	0 580 30			0 580 35		
Power setting (kW)	3.7	4.6	3.7	4.6	5.8	7.4
Charging station rating (A)	16	20	16	20	25	32
Power line protection rating	20 A, C curve	25 A, C curve	20 A, C curve	25 A, C curve	32 A, C curve	40 A, C curve
RCD	30 mA F type			30 mA F type		
Power line protection RCBO (6000/10 kA)	4 110 95	4 110 96	4 110 95	4 110 96	4 110 97	4 110 98
Power line csa (mm² minimum)	2.5	4	2.5	4	6	10
Shunt trip / safety signal	4 062 76	4 062 76	4 062 76	4 062 76	4 062 76	4 062 76
2P+E line protection	included	included	included	included	included	included
Surge protective device	0 039 51	0 039 51	0 039 51	0 039 51	0 039 51	0 039 51

Cat.Nos	0 580 02			
Power setting (kW)	11	15	18	22
Charging station rating (A)	16	20	25	32
Power line protection rating	20 A, C curve	25 A, C curve	32 A, C curve	40 A, C curve
RCD	30 mA F type			
Power line protection MCB (6000/10 kA)	4 112 45	4 112 46	4 112 47	4 079 32 + 4 105 34
Power line csa (mm² minimum)	2.5	4	6	10
Shunt trip / safety signal	4 062 76	4 062 76	4 062 76	4 062 76
Surge protective device	0 039 53	0 039 53	0 039 53	0 039 53

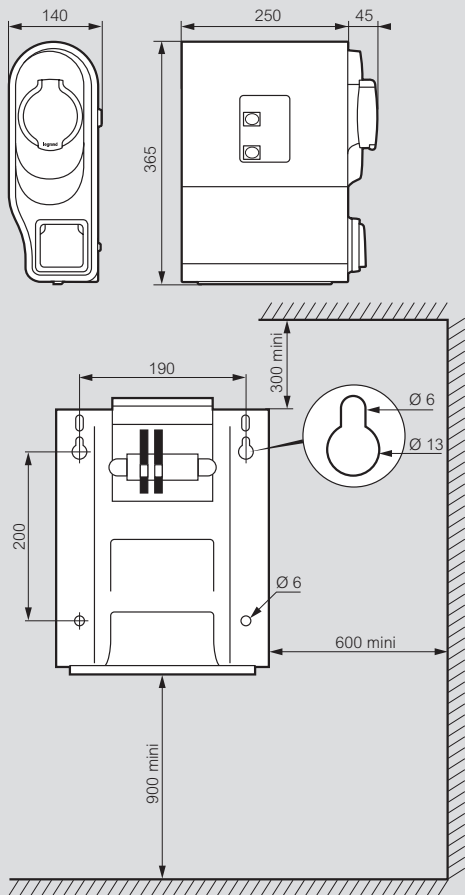
Green'up™ Premium charging stations

for electric vehicle charging

■ Dimensions and mounting for plastic charging stations (mm)

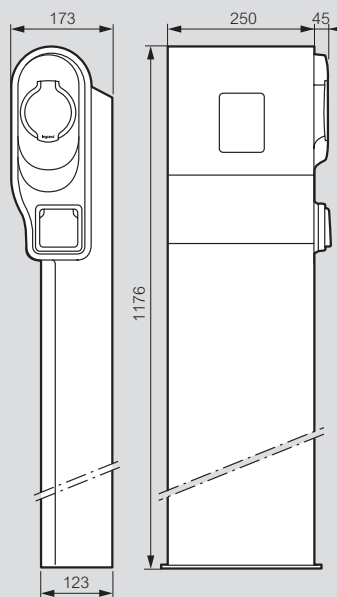
Wall mounting charging stations

Cat.Nos 0 580 00/01/02/30/35

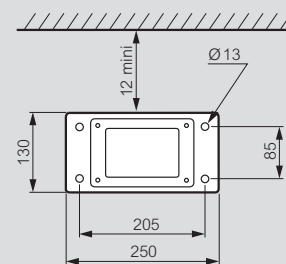


Free standing charging stations

Cat.Nos 0 580 00/01/02/30/35, 0 590 52



Fixing to the ground





legrand.com



youtube.com/user/legrand



linkedin.com/company/legrand



twitter.com/Legrand

Head Office
and International Department
87045 Limoges Cedex - France
Tel: +33(0)5 55 06 87 87

